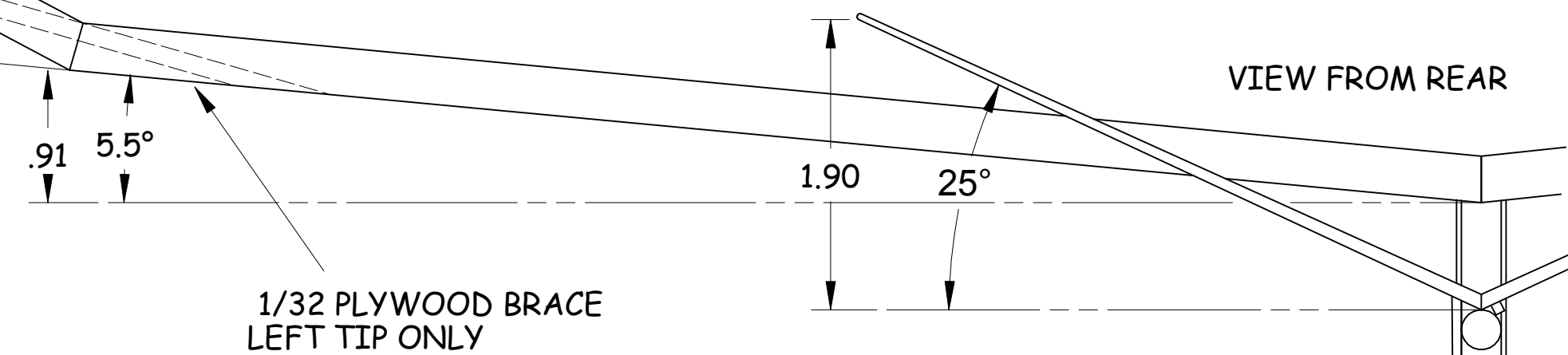
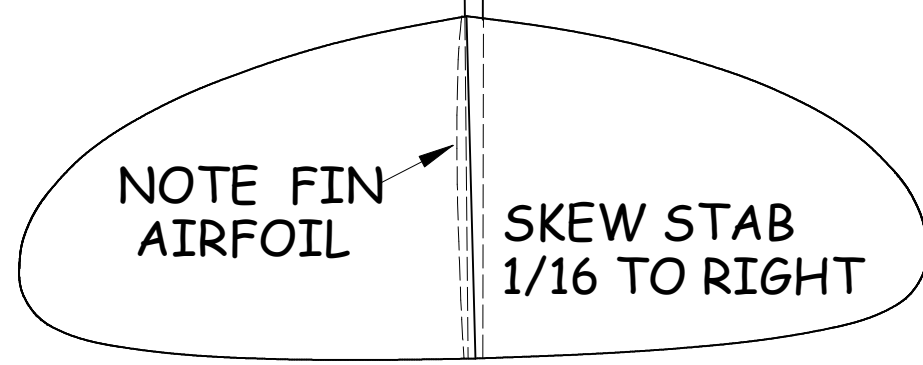
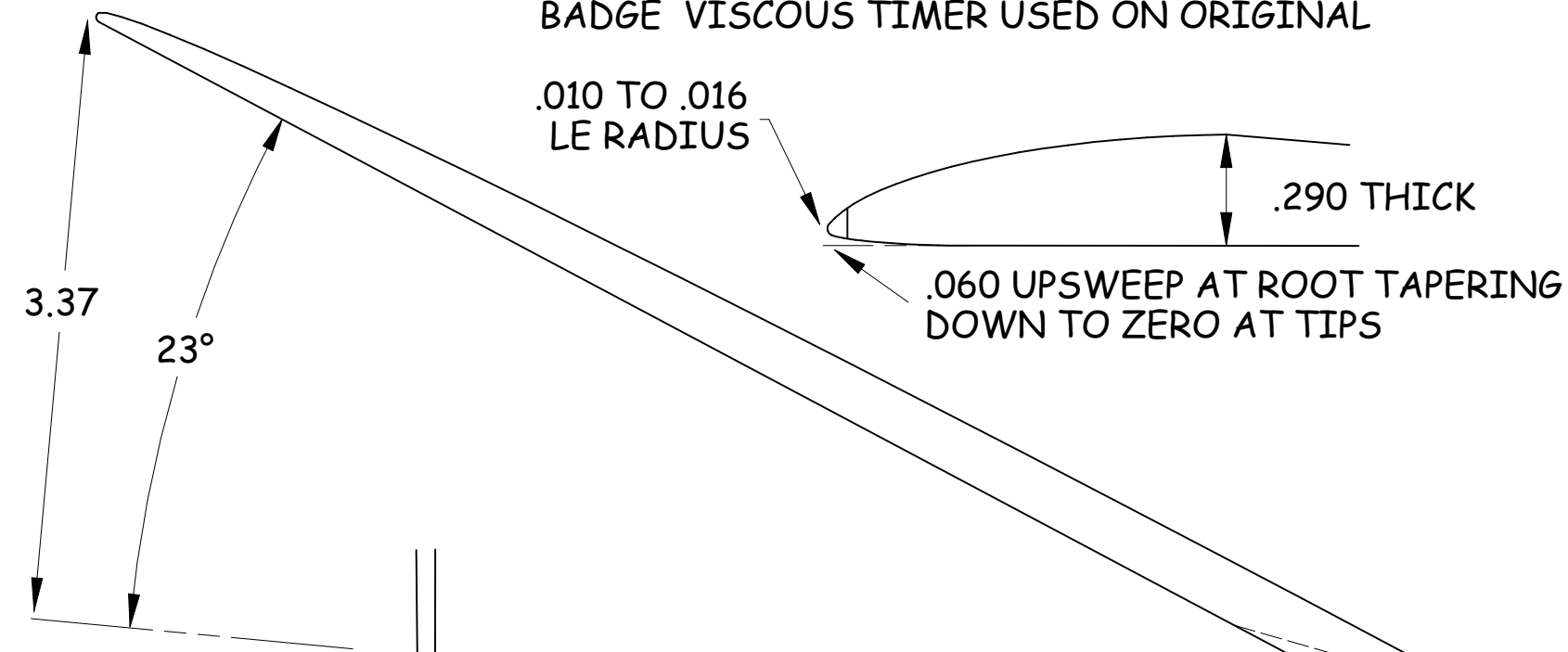
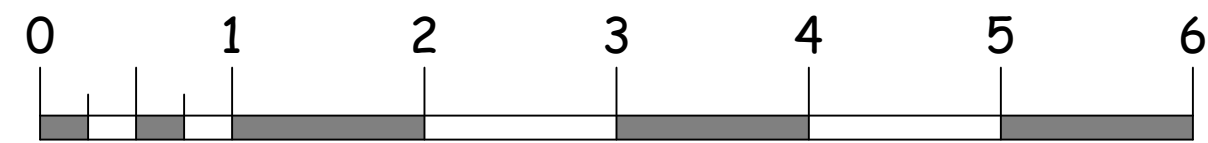


BUDDENBOHM TIMER FUSELAGE WITH 1.5 DEGREES INCIDENCE
 BADGE VISCOUS TIMER USED ON ORIGINAL

1/32 BASSWOOD LE

Lee Hines's
SWEEPETTE 360

36" SPAN TLG CONCEPT INSPIRED BY RANDY REYNOLDS
 TARGET WEIGHT 85 to 90 GRAMS FLIES LEFT-RIGHT
 DRAWN FULL SIZE BY BRUCE KIMBALL



1/32 PLYWOOD BRACE LEFT TIP ONLY
 OPTIONAL IS 2 BRACES OF .008 CARBON

